

Benchmark®

HOT MELT SYSTEMS

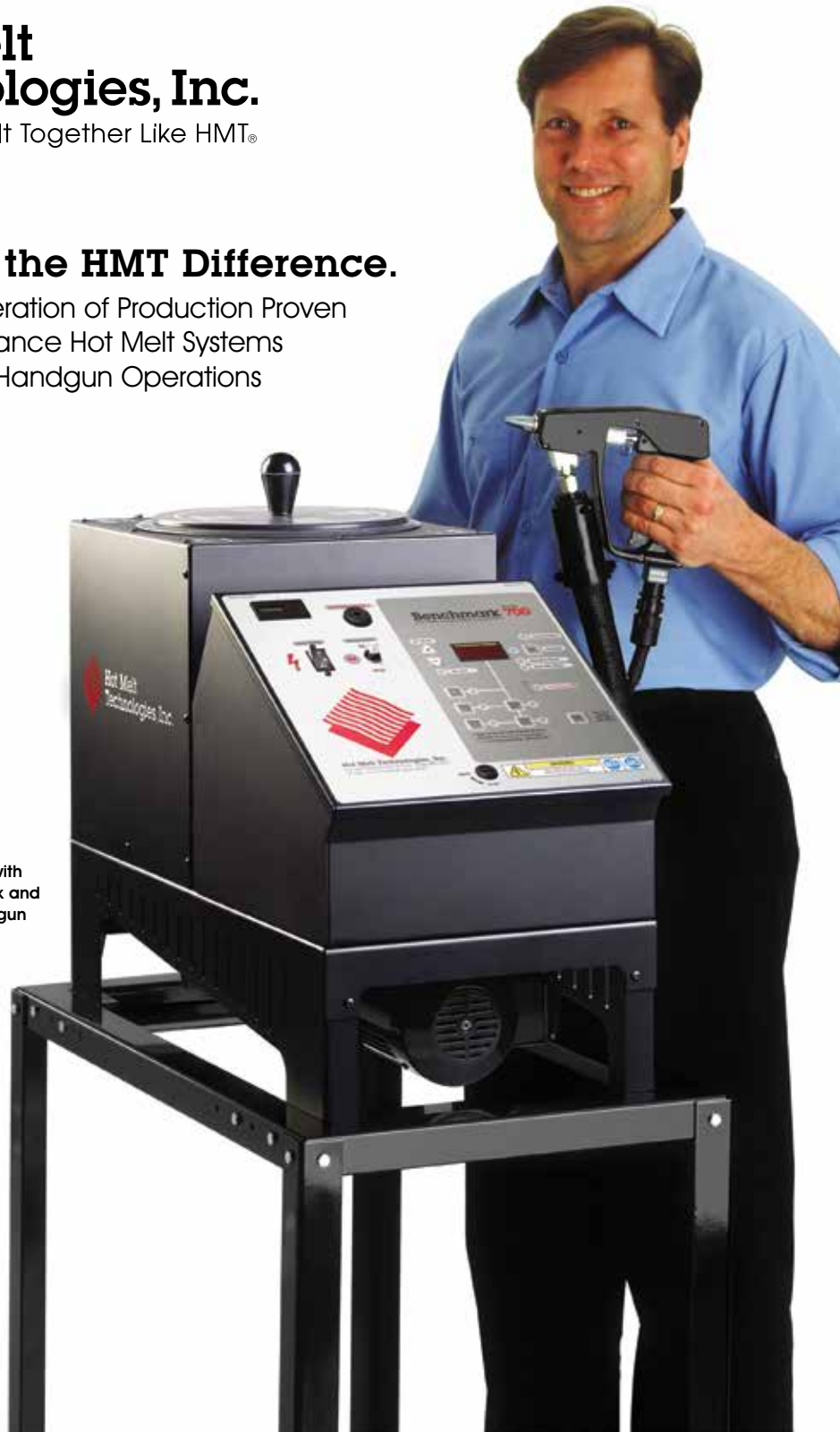


Hot Melt Technologies, Inc.

No One Puts It Together Like HMT®

Discover the HMT Difference.

Our 4th Generation of Production Proven High-Performance Hot Melt Systems For Industrial Handgun Operations



Benchmark 735 with a 35 lb. melt tank and a standard handgun

Discover The HMT[®] Difference

No Matter The Application...

There's A Benchmark[®]-HP System To Meet Your Needs.

For over 25 years Hot Melt Technologies' (HMT[®]) Benchmark-HP Series of equipment has set the standard for high-performance hot melt handgun applicators. For dispensing EVA's, APO's, PSA's, Polyesters, or Polyamides; even P.U.R's, Benchmark hot melt systems have earned a worldwide reputation for uncompromised durability, reliability and performance.

Benchmark: The Industry Standard For Hot Melt Handgun Application Systems.

Benchmark HP excellence begins with the melt unit. We only use the highest quality, modular components - 10 gauge steel platforms, hardened spur gear pumps, high-torque fraction horsepower drive motors, and our patented melt-on-demand melt tanks. And our 4th generation temperature and process controls are sophisticated yet easy to use, tamper resistant, safe, and with even more standard features and benefits.

Benchmark[®] 315 and 715

The Benchmark 315 and 715 blend high-performance with low cost to create the ultimate hot melt handgun system for single (315) or dual (715) work-cell assembly applications. Pre-assembled and ready-to-run right out of the crate, these Benchmark systems have a modular 15-lb. capacity melt tank and full featured microprocessor temperature and process control. They can be equipped with 8, 12, 16 or 20 ft. hoses and any of HMT's handguns and nozzles. Easy to operate and maintain. 120vac or 220vac operation.



Benchmark 315 and 715



Benchmark 735

Benchmark[®] 725, 735 and 750

The Benchmark 700 Series offers the exclusive feature of an interchangeable melt tank with 25-, 35-, or 50-lb. capacities providing exceptional value/performance/flexibility and decision-making confidence. These Benchmark systems are capable of serving single or dual work cells with hose lengths up to 28 feet, handguns and nozzles for bead, slot, or spray applications. Available in 120vac or 220vac.



Hoses, Handguns and Nozzles... HMT Leads The Way.

From our exclusive 360-Plus® ball swivel on our handguns, to our cool-touch spray nozzles, to the extra-tuff covering on all our heated hoses, HMT continues its innovative leadership.



Top Entry



In-Line



In-Line, Semi-Automatic

Innovative Handguns and Nozzles

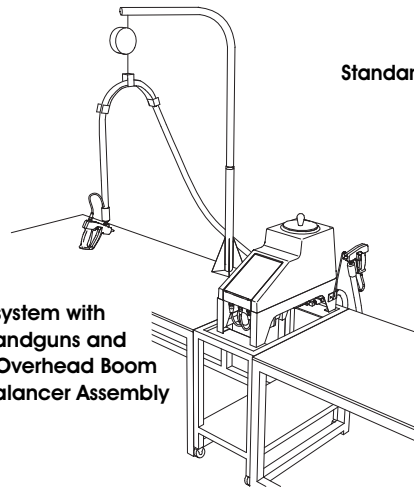
Our handguns are ergonomically designed to reduce operator fatigue and weigh less than 1 ½ lbs.

Handguns feature your choice of:

- 360-Plus® Ball or 360° Linear swivels
- Standard or Top Hose Entry
- Interchangeable nozzles, Bead or Spray
- In-Line Manual or Semi-Automatic



Interchangeable handgun nozzles are available for every application... bead, spray, extended nozzles, slot nozzles, T-nozzles, I.G. gunning tips, and many more. And if you need something special...we are glad to accommodate.



HP system with 2 handguns and an Overhead Boom & Balancer Assembly

Standard Entry



Cordless



Heated Hoses Built-To-Last

HMT builds heated hoses to the most exacting engineering and safety standards. The stainless steel core of each hose is hand-wound with multi-strand nichrome heater wire imbedded in 60mils of silicone, wrapped with insulation, and protected with an extra-tuff layer of abrasion resistant nylon braiding. And all our hoses feature our industry exclusive replaceable RTD sensors.



BENCHMARK® HP SERIES HOT MELT ADHESIVE SUPPLY UNIT SPECIFICATIONS

System	Benchmark 315	Benchmark 715	Benchmark 725, 735, 750
Melt Tank Capacity	15 lbs.	15 lbs.	25, 35, 50 lbs. Interchangeable
Temperature Control	100°F up to 475°F ± 1°F	100°F up to 475°F ± 1°F	100°F up to 475°F ± 1°F
Melt Rate	Up to 15 lbs. / hr.	Up to 15 lbs. / hr.	Up to 30 lbs. / hr.
Gear Pump Displacement	12.7cc per rev.	12.7cc per rev.	12.7cc per rev.
Standard Motor RPM	85 rpm	85 rpm	85 rpm
• AC Constant			
Pump Rate	Up to 1.5 lbs. per min.	Up to 1.5 lbs. per min.	Up to 1.5 lbs. per min.
Max. Pump Pressure	1230psi (85bar)	1230psi (85bar)	1230psi (85bar)
Hose/Gun Zones	1	2	2
Electrical Service	120vac or 220vac	120vac or 220vac	120vac or 220vac

CONTROL SPECIFICATIONS

Control Type

- Modular
- Full Feature Microprocessor
- Tamper Resistant

Process Control

- Melt-On-Demand
- 100ohm Platinum RTD, all zones

Front Panel Display (See Below)

- Run Temp Display
- Set-Point Display
- High Limit Display
- Readout in °F or °C
- Manual Standby

Run Temp Range

- 100°F to 475°F ± 1

Safety Limits

- High Set Point Limit
- O.T. Protection with Auto Shutoff
- Pump Ready Lock Out

Safety Timers

- Auto-Standby
- Auto-Off

HANDGUN SPECIFICATIONS

Gun Configurations

- Standard Entry
- Top Entry
- In-Line
- In-Line, Semi-Automatic
- Cordless

Sensor

- 100ohm Platinum RTD

Operating Temperature

- Up to 475°F

Operating Pressure

- Up to 2000psi

Nozzles

- Bead
- Spray
- Slot
- Custom

Optional Accessories

- Overhead Boom & Balancer Assemblies
- Steel Cart with Castors
- Automatic Guns w/Foot Switch and Shot Timers

HOSE SPECIFICATIONS

Hose Lengths

- Up to 28 ft.

Maximum Operating Temp

- Up to 475°F

Max. Hydraulic Pressure (#6 Core)

- Up to 2000psi

Construction

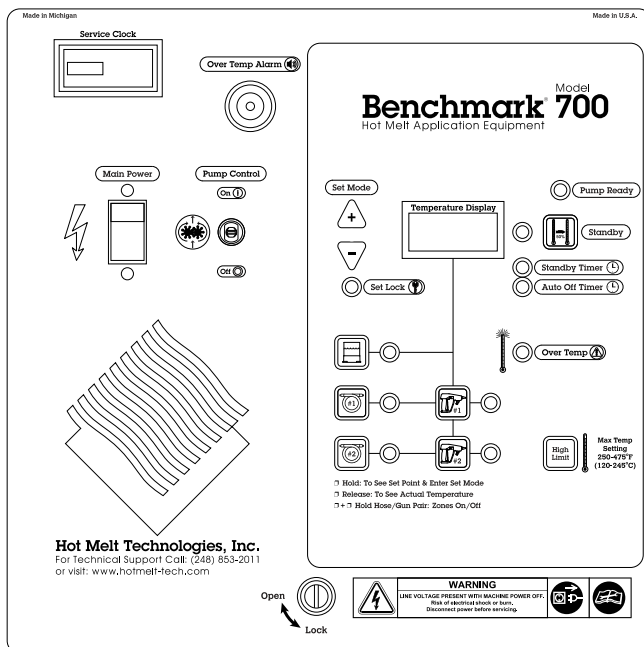
- PTFE Lined Stainless Steel Core
- Stainless Steel Fittings
- Layered Aramid-Felt Insulation
- Super-Tuff Nylon Outer Sleaving

Heater

- Multi-Strand, Kapton Coated Nichrome

Sensor

- 100ohm Platinum RTD



HMT's Pro-Fill System automatically fills your tank