



Hot Melt Adhesive

**Typical Physical Properties**

- ▶ Typical Application Temperature Range: 340°F – 370°F
- ▶ Viscosity: 2400 – 3600 cps @ 350°F
- ▶ Softening Point: Approx. 235°F
- ▶ Color: Yellow to Amber Solid

**General Uses and Product Characteristics**

HMT-4133 is a Hot Melt Adhesive specifically used in the construction of mattress assemblies. This material bonds to a variety of foam and fabric substrates.

**Storage and Handling Suggestions**

Store in cool, dry place in the original shipping container only. Keep container closed and tightly sealed when not in use to avoid contamination. The product is lightly powdered to reduce blocking.

**Clean-up and Safety Information**

For purging, use HMT's 1200-HMP purge compound. To minimize the risk of burns, we recommend the use of eye protection and protective clothing when working near the hot melt applicator.

**Packaging Information**

Package changes can occur without notice.

**4133**

**Chemistry**

Synthetic Resin

**Form**

Pillows

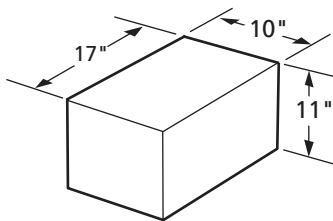
**Shelf Life**

One year from the date of shipment.

**Standard Disclaimer**

The data presented is based on tests standard to the adhesive industry. Because we have no control over the application process or the substrates used by the customer, HMT can not certify the performance of the assembly the adhesive is used on. HMT will assume no responsibility for results obtained or for incidental or consequential damages arising from the use of this adhesive.

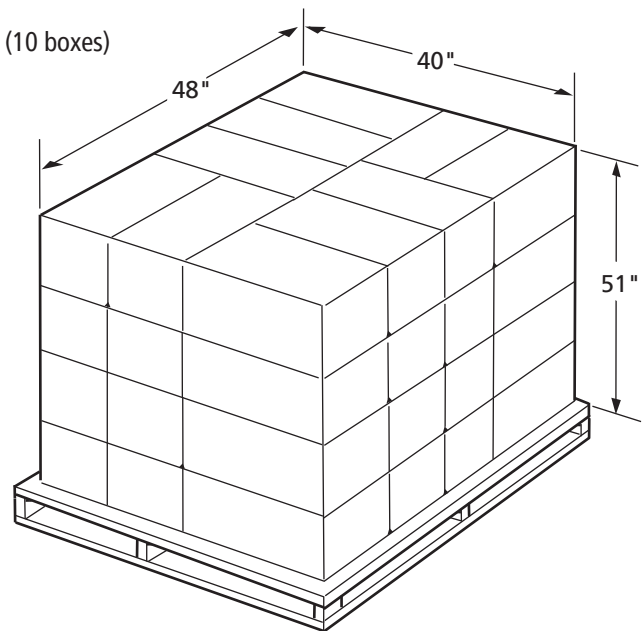
Approx. Pallet Dimensions: L=48", W=40", H=51"  
 Full Pallet Weight: 1200 lb Net (40 boxes)  
 Rows per Full Pallet: 4  
 Weight per Row: 300 lb Net (10 boxes)



Container Type: Box

Container Dimensions: L=17", W=10", H=11"

Container Weight: 30 lb Net



**Hot Melt Technologies, Inc.**  
 No One Puts It Together Like HMT<sup>®</sup>

1723 W Hamlin Road, Rochester Hills, MI 48309 (248) 853-2011 www.hotmelt-tech.com

11/01/2024