



Hot Melt Adhesive

Typical Physical Properties

- ▶ Typical Application Temperature Range: 325°F – 375°F
- ▶ Viscosity: 3800 – 5300 cps @ 350°F
- ▶ Softening Point: Approx. 270°F
- ▶ Color: Yellow to Amber Solid

General Uses and Product Characteristics

This hot melt adhesive is designed primarily to bond insulation materials to metal panels of HVAC equipment, blowers, heating appliances, and other devices. It may also be used for assembly of similar substrates where UL approval is required for evaluating burning and smoke characteristics.

U.L. Recognition Information

Product is UL listed for: MAGW2.MH60256 - Adhesives, Insulation - Component



Storage and Handling Suggestions

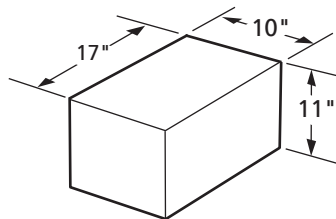
Store in cool, dry place in the original shipping container only. Keep container closed and tightly sealed when not in use to avoid contamination. The product is lightly powdered to reduce blocking.

Clean-up and Safety Information

For purging, use HMT's 1200-HMP purge compound. To minimize the risk of burns, we recommend the use of eye protection and protective clothing when working near the hot melt applicator.

Packaging Information

Package changes can occur without notice.



Container Type: Box
 Container Dimensions: L=17", W=10", H=11"
 Container Weight: 30 lb Net

761

Chemistry

Synthetic Resin

Form

Pillows

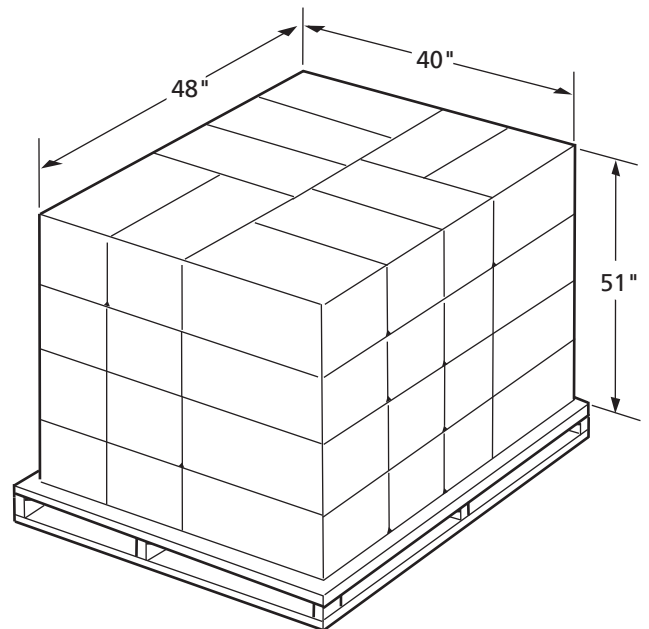
Shelf Life

One year from the date of shipment.

Standard Disclaimer

The data presented is based on tests standard to the adhesive industry. Because we have no control over the application process or the substrates used by the customer, HMT can not certify the performance of the assembly the adhesive is used on. HMT will assume no responsibility for results obtained or for incidental or consequential damages arising from the use of this adhesive.

Approx. Pallet Dimensions: L=48", W=40", H=51"
 Full Pallet Weight: 1200 lb Net (40 boxes)
 Rows per Full Pallet: 4
 Weight per Row: 300 lb Net (10 boxes)



Hot Melt Technologies, Inc.
 No One Puts It Together Like HMT[®]

1723 W Hamlin Road, Rochester Hills, MI 48309 (248) 853-2011 www.hotmelt-tech.com

11/01/2024