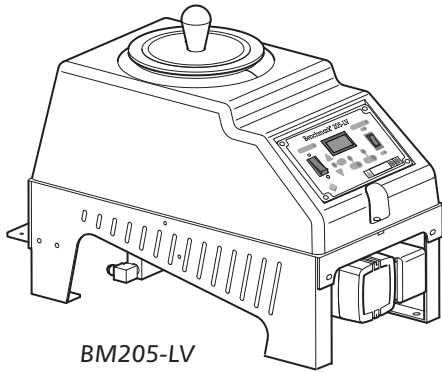




BENCHMARK® 200 SERIES

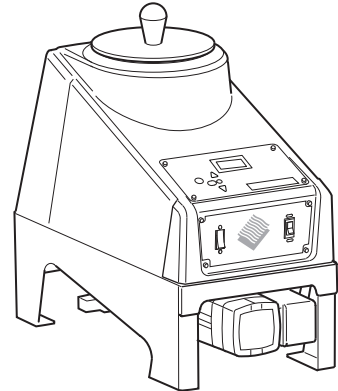
Hot Melt System



BM205-LV

Standard Features

- ▶ 225°F - 400°F
- ▶ O.T. Protection
- ▶ Temp Readout, °F and °C
- ▶ AC Drive Motor
- ▶ Cast Iron Pump w/ Steel Gears
- ▶ Tank Filter
- ▶ Pump Ready w/ Lock Out
- ▶ Precision Flow Control



BM215-HV

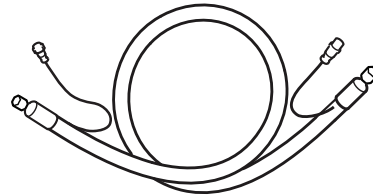


Benchmark® Melt Unit 120v, 20 amp

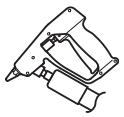
DESCRIPTION	PART NUMBER P/N	TANK CAPACITY (APPROX.)	HOSE/GUN CAPABILITY
Benchmark® 205-LV4	BM205-LV4	8 lb (1 Gal.)	2
Benchmark® 215-HV4	BM215-HV4	13 lb (2 Gal.)	2

Heated Hoses 120v







HOSE LENGTH	HOSE P/N
8 Ft.	721-608
12 Ft.	721-612
16 Ft.	721-616



Handguns & Automatic Guns 120v

CONFIGURATION	Standard Entry 
PART NUMBER #	DG-413-S

DG-400 Series Nozzles

PART NUMBER	ORIFICE
156-018 	.050
156-022 	.090
156-080 	.050
156-033 	.050
156-043 	.050
156-047 	.090